



Fenestra French is a twin leaf wood-aluminium balcony door with an aluminium clad frame and an external sash made of aluminium. The French balcony door can only be opened and locked from the inside. There are different appearances: as standard is full glass and as special order can be with spacer and panels. The balcony door comes in a wide range of colours and varnishes. Possible extras that may be ordered are air vents, venetian blinds and decorative mouldings.

MEASUREMENTS

The frame depth is 130 mm and 170 mm or 210 mm. MSE-type balcony doors are custom-made according to client measurements conforming to ISO 9001 quality standards.

GLAZING

The external sash uses as standard glazing 4 mm float glass and the internal sash a double glazed assembly according to the SFS-standard.

PANELS

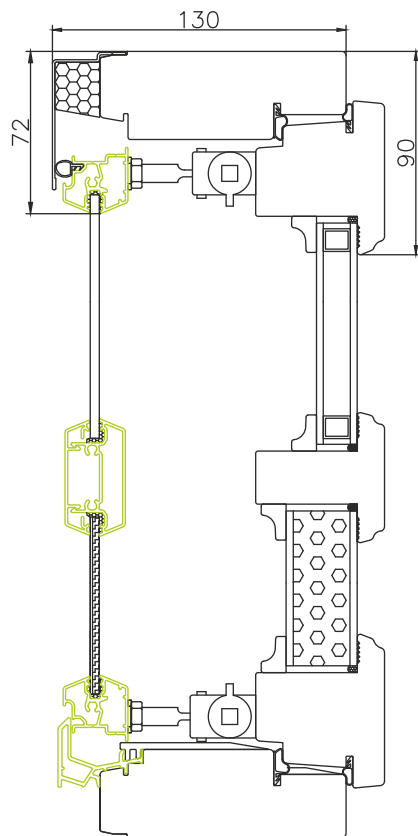
The internal sash lower part may be an insulated non-transparent panel consisting of painted MDF boards and polyurethane foam blocks.

PROPERTIES

Heat retention: Assumed U-value 1.0

Sound insulation:

Assumed $R_w=42-47$ dB, $C_{tr}=35-45$ dB



Upper/lower frame

ALUMINIUM

Aluminum details with powder coating are weatherproof and easy to maintain.

WOOD

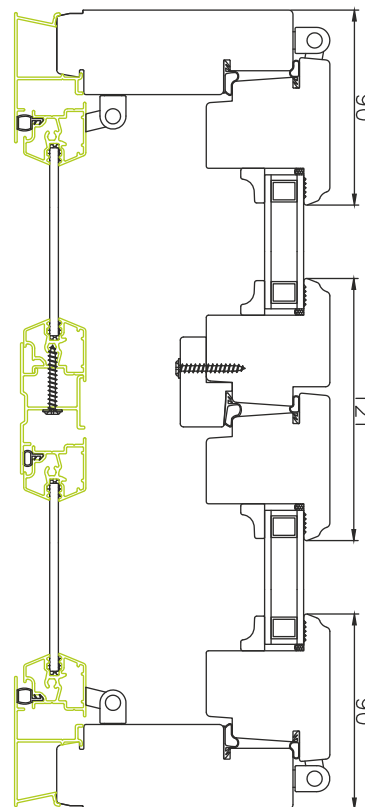
Softwood (pine), treated and selected according to quality standard SFS 4433.

SEALS

A TPE seal fastened to the frame is used as the inner sash seal with an additional TPE seal on the inner frame. The external sash seal is within the sash seal groove..

FINISHING

Paint (e.g. RAL catalogue) or stain (AkzoNobel TINTEX catalogue) is used.



Abutted sashes