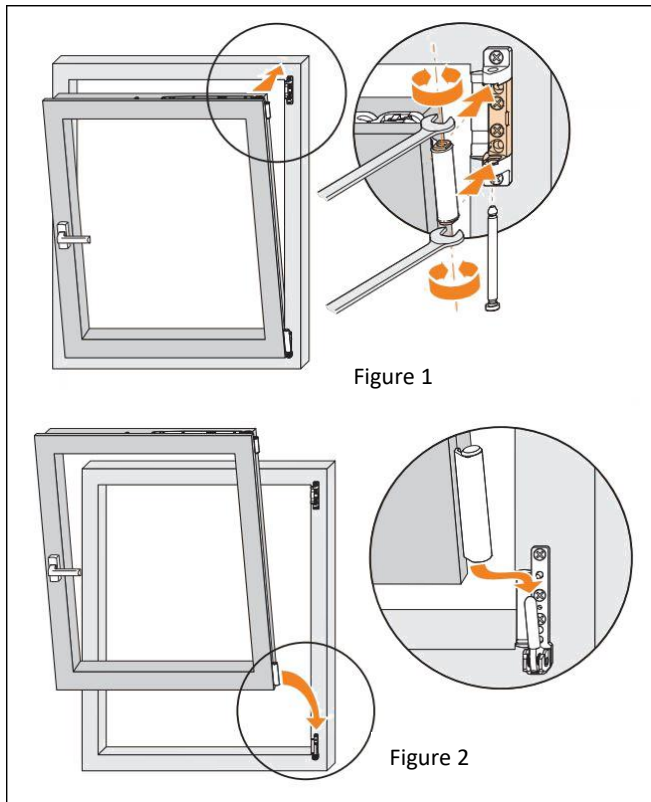


WOOD-ALUMINIUM WINDOW FENIX

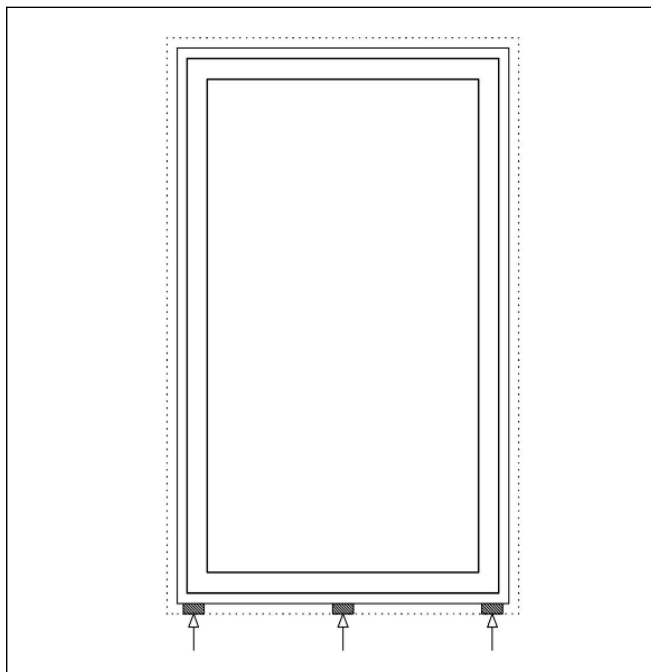
INSTALLATION-, USE- AND MAINTENANCE INSTRUCTIONS



Fenestra Fenix is an inwards turning or turn-tilt, single-frame triple-glazed wooden-aluminium window, the frame and jamb of which are covered with aluminium profiles from outside.



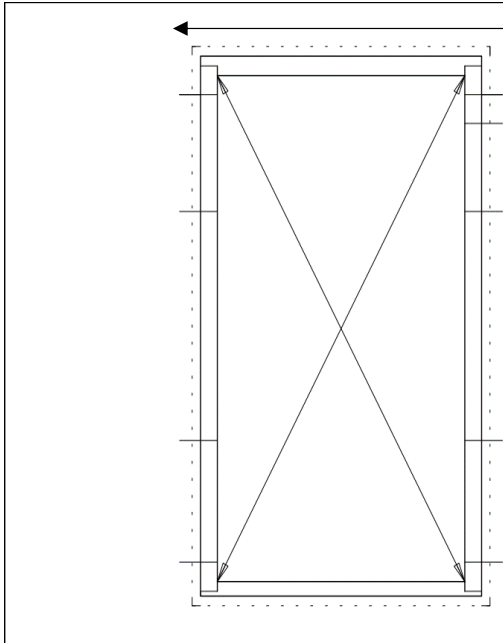
1. To install the door window, remove the frame from the jamb, remove the hinge covers and hinge pins of the upper hinges (by pulling them down) and lift the frame out of the lower jamb hinge (Figures 1 and 2). In the case of fixed frames, remove the screw covers, loosen the fixing screws of the frames and lift the frame off.



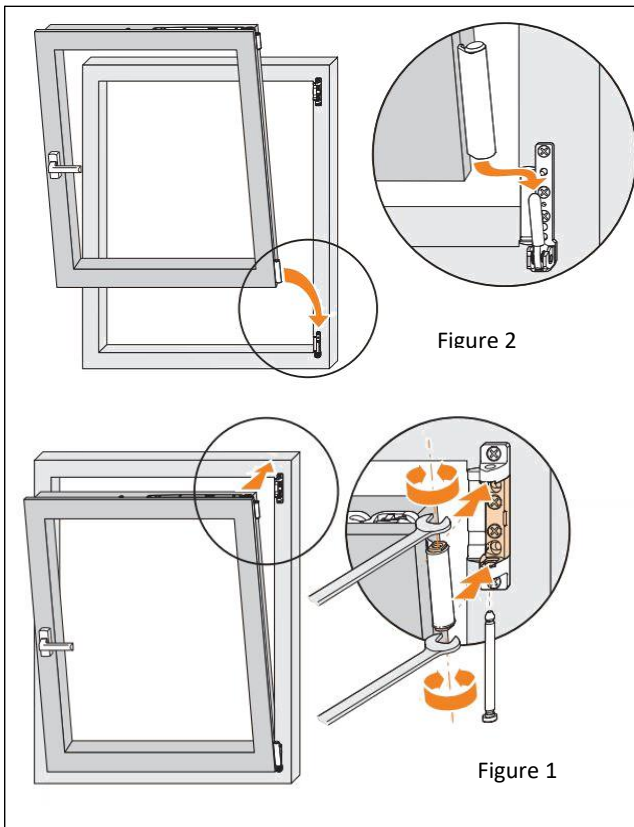
2. Place support blocks below the lower jamb of the window or install support screws 50-70 mm from the corners. Install supports under the rest of the jamb so that the pitch of the supports does not exceed 500-600 mm, also install a support under the vertical intermediate post.

The support blocks must be made of moisture-resistant material and of such dimensions that it is later possible to cover them with joint insulation material both inside and outside (to prevent cold bridges).

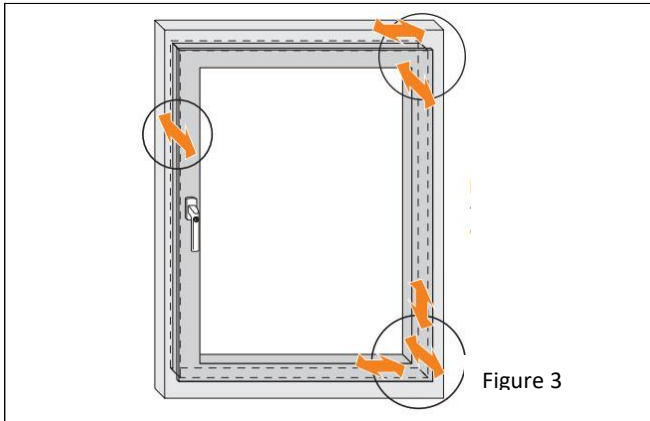
The material and cross-section of the support screws must match the surrounding wall structure. Level the sill so that it is perfectly horizontal.



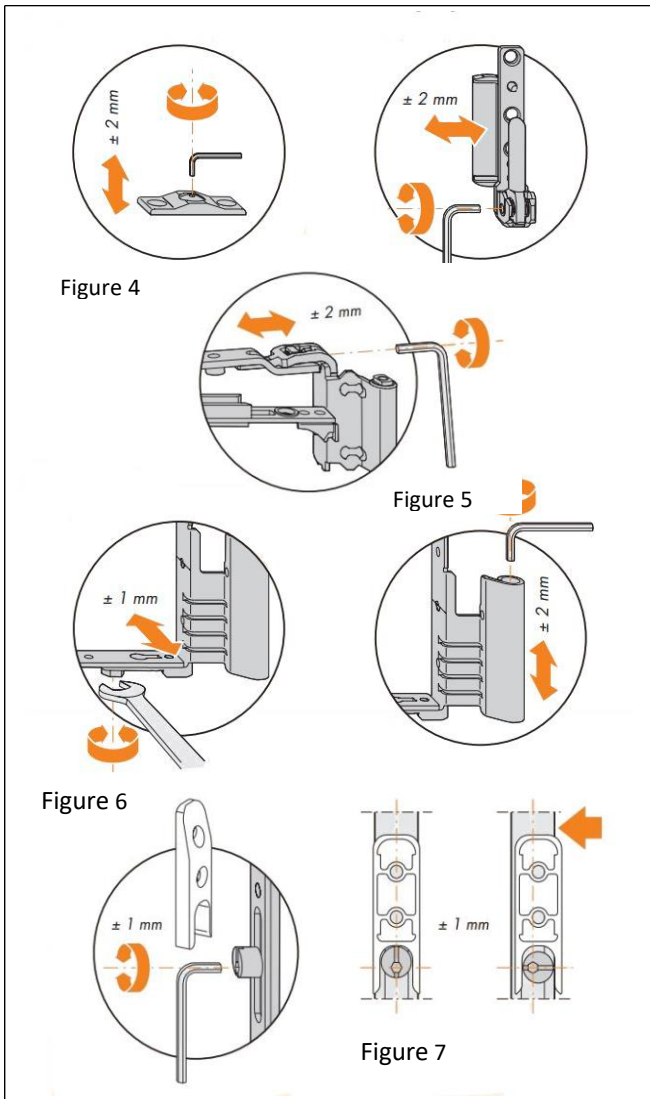
3. Level the window vertically, using wedges or screw-on sleeves, start with the upper and lower fastening holes of the door, check the correctness of the diagonals and fasten the jambs to the wall with suitable fastening means. The jamb must not be inclined inwards or outwards.



4. Check the diagonal dimensions and the straightness of the jambs once again and fit the jambs to the frames (install the operable frames in the same position as when removing the frames, Figures 1 and 2)). Then insulate the joint with the appropriate material. The joint must be insulated over the entire length of the wooden part of the jamb (approx. 60-65 mm), calculated from the inside. All support blocks and wedges must be covered with insulation material.

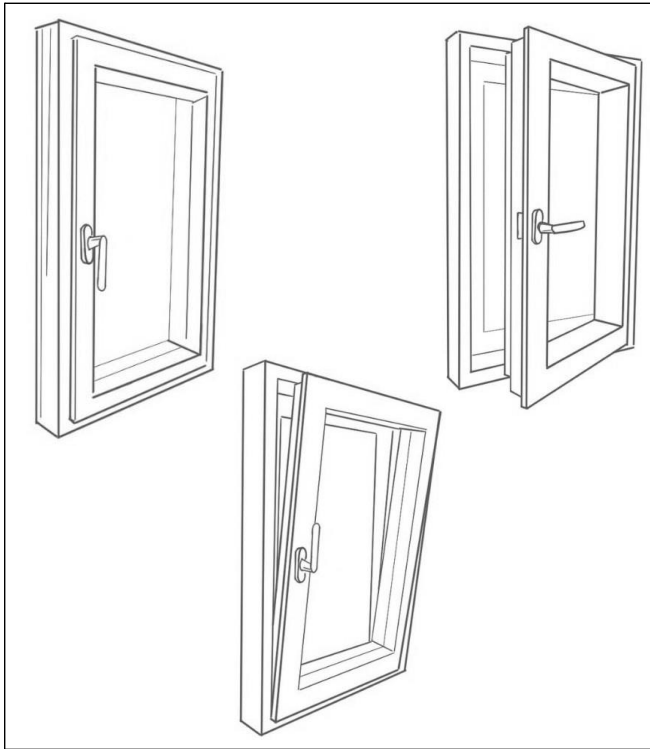


5. After proper sealing of the jamb and hardening of the assembly foam, **check the passage gaps of the operable frames and, if necessary, adjust** (according to Figure 3) the passage of the frame, adjust the passage gaps so that they are even if necessary.



6. Adjusting the operable frames:

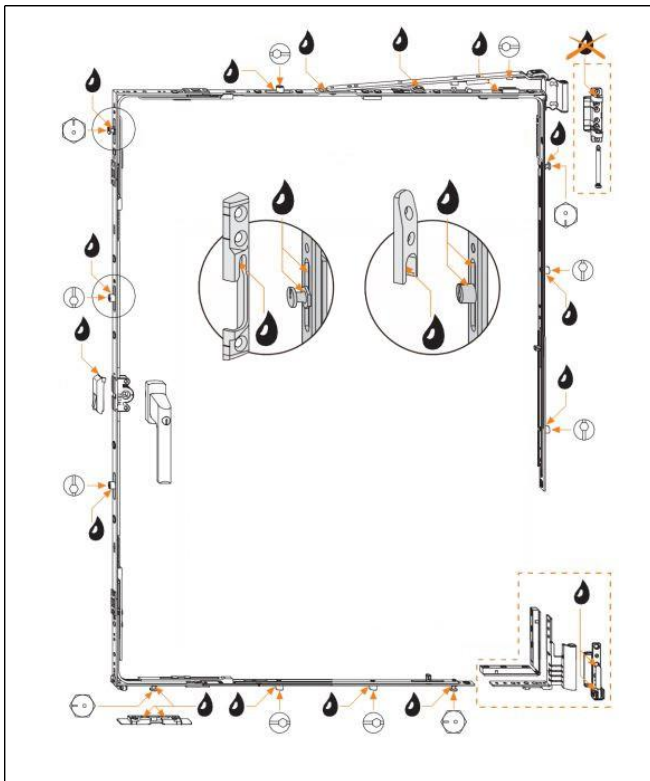
- to adjust sideways, turn the adjusting screw at the bottom of the lower corner joint (Figure 4) or the adjusting screw of the upper shear (Figure 5) using a 4-mm Allen key.
- to adjust in height, remove the rubber cover of the lower corner joint and the height of the frame can be adjusted by turning the adjusting screw (Figure 6).
- to adjust the closing density of the operable frame, turn the eccentric locking knobs of the latch according to Figure 7.



7. Opening and closing operable frames.

Operable frames are divided into three - turn frames, tilt-turn frames and tilt frames. To open the turn frame, the handle must be turned to the horizontal position. To open the tilt-turn frame, the handle is turned horizontal - the frame swivels to the side to open. When the handle is turned 180 degrees to the vertical position, the frame opens at an angle.

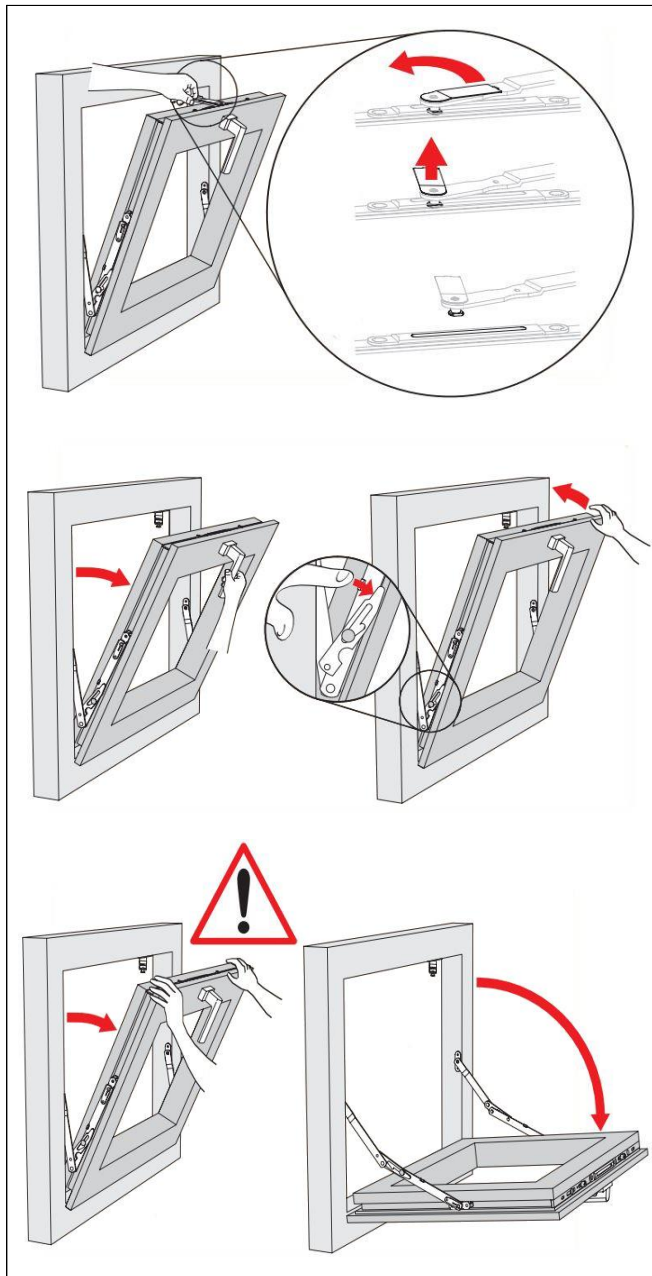
Please note: The handle should be turned only when the frame is closed. Turning the handle while the frame is open may damage the latch.



8. Maintenance

To keep the latches and hinges in working order, their moving parts must be lubricated once a year using oils or lubricants that do not contain acids or resins.

When you need to replace latches of the operable frames, lift the frames on the ground or adjust the latches, we recommend to order such jobs from specialists!

**9. Opening tilt window frames for cleaning.**

Windows with tilt frames can be opened for cleaning as shown in the figures by first opening the fixing device of the latch at the top of the frame and then the fixing device at the side of the frame.

Please note! Window frames opened for cleaning must be firmly supported and, after cleaning the windows, the parts of the latch must be fixed again.