



Insulation:

U-value with standard glass 1,0 W/m²K
U-value with special glass 0,85 W/m²K

Sound insulation:

Rw = 42-47 dB
Ctr = 35-45 dB



High-quality, economical and energy efficient **Fenestra Primus French balcony doors** are perfect for apartment buildings as well as private residences. The double leaf wood aluminium balcony door's outer frame is made from aluminium and the outer surface of the frame is covered with aluminium profiles. The balcony door can only be opened and locked from the inside. There are several design options available: the full glass, special mid-frame solution or the partially blocked balcony door. There are many different paint and stain options. All our products are tested by approved test labs.

TECHNICAL SPECIFICATIONS

Airtightness 4
Resistance to wind load class C3
Impermeability E750

test measure 990 x 1 090

WOOD

Wood has been selected and processed based on quality standard RT 103241. Architraves are made of glued laminated timber (pine) with at least three layers using weatherproof glue D4. Window frames are made of knotless pine and there are no finger joints on the visible stained/glazed surface.

ALUMINIUM

Weatherproof and easy-to-maintain aluminium parts are powder coated or anodized. There are a wide range of colour options, ask for further information.

FITTINGS

Fittings (SG & Otlav) and handles (SG & Mira) are included in standard accessories. Handles come in a variety of models and colours.

The bottom part of the internal frame uses an opaque insulated cartridge consisting of painted MDF boards and a polyurethane foam sheet.

DIMENSIONS AND SHAPE

Standard architrave depth options 130 mm, 170 mm and 210 mm.

Larger and smaller dimensions available for special solutions.

GLASSES

The inside frame uses double glazing with selective surface, filled with argon gas. 4 mm glass is the standard choice for the outer frame.

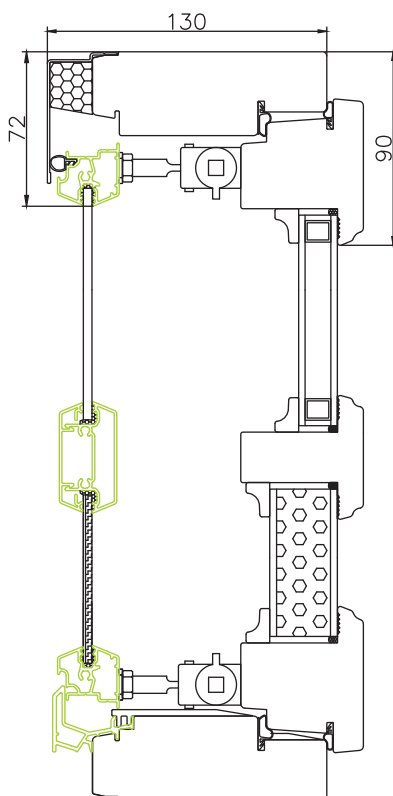
Possibility to order special safety glass, in order to improve the soundproofing of the glass package and to reduce the effects of solar radiation.

SURFACE FINISH

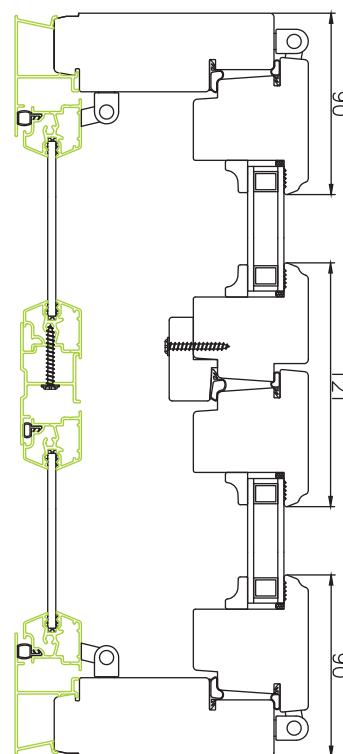
Wood details are coated in our factories with weatherproof paints, stains or lacquers (AkzoNobel, TINTEX). There are a wide range of colour options.

SEALING

We use TPE sealants.



Upper and lower frame



Abutted sashes